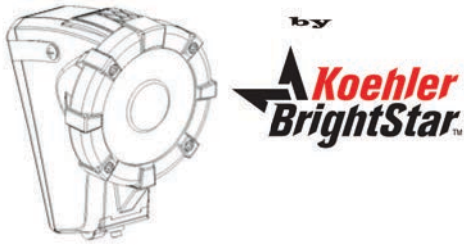


CORDLESS

'WHEAT'



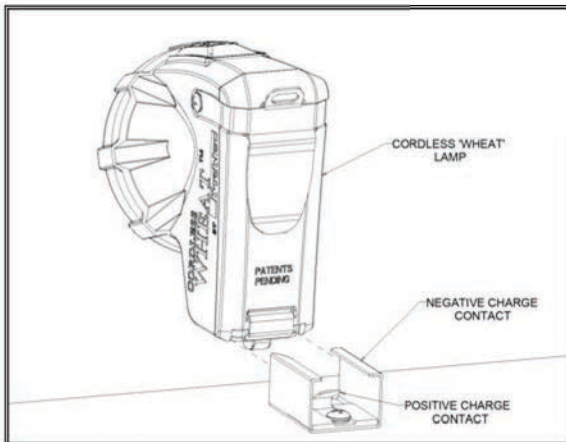
380 Stewart Road ■ Hanover Township, PA 18706 USA ■ 570-825-1900 ■ Fax: 570-825-1984
www.koehlerlighting.com

INSTRUCTIONS FOR Model #LI-6000 (P/N 10K-1300)

With proper care and maintenance, this Cordless Mining Light will provide long, dependable service. Please take a moment to read this instruction sheet before using your new light. It provides safety and operating instructions.

Charging

- 1.) Lights are shipped new with only a partially charged battery. **Prior to its first use, the unit must be placed on charge.**
- 2.) The Cordless WHEAT was designed to fit all of the Koehler chargers which use the "Mark V Style" charge contacts (shown below). To attach, simply slide the two legs of the charge contact into the channels on the bottom of the light as shown (note the correct orientation of the positive tab on the charger contact).

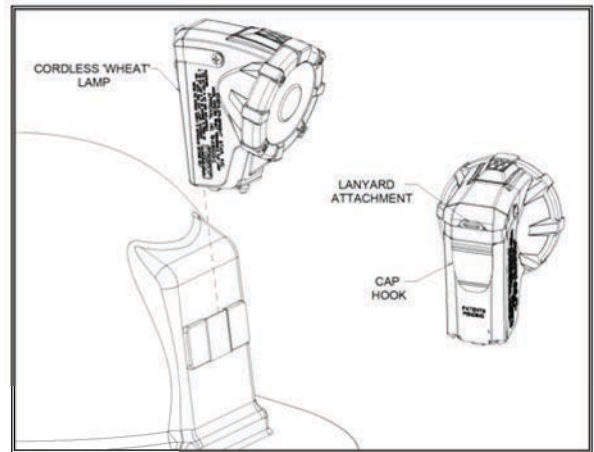


- 3.) Once connected to the charger, the LED status indicator inside the reflector will glow solid red to show that it is charging correctly. Upon completion of the charge cycle, this LED indicator will glow green. At that time, the light is ready to use. However, it can be left on the charger indefinitely without damage to the unit.

Operation

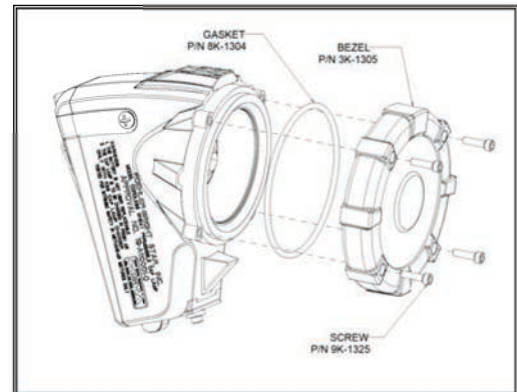
- 1.) The button on the top of the unit is used to control the light's functions, as follows:
 - ☒ **1st button press** – Low Power setting
 - ☒ **2nd button press** – High Power setting
 - ☒ **3rd button press** – Off
- 2.) With a full charge, the light will operate for approximately 13hrs on High Power setting; at which point it will automatically switch to Low Power mode (both to conserve power, and indicate to the user that the unit will need to be re-charged). The unit will continue to operate in low power mode for another 20-30 minutes, flashing periodically, until it fully shuts down.

- 3.) To mount the light to a 'mining' helmet, slide the caphook on the back of the lamp on the helmet's lamp bracket. An attachment point is also provided for the attachment of a lanyard to further secure the unit.



Maintenance

- 1.) Keep the charge contacts clean and free of dirt & debris. If the charge contacts are wet, they should be dried before attachment to a charger
- 2.) The unit can be cleaned with mild soap and a damp towel. Avoid harsh detergents, abrasives, solvents and high pressure / high temperature sprays that could damage the plastic.
- 3.) Battery replacement – The LI cell in this unit is not field-installable. If the battery needs to be replaced, the unit should be returned to an authorized Koehler facility for repair.
- 4.) Lens replacement – If the lens becomes damaged or dirty, it will require replacement. Using a 5/64" hex wrench, loosen the 4 screws on the lens-ring face. Remove the lens-ring, gasket, and screws. To re-install, reverse these steps, making sure to seat the gasket properly.



Safety

- 1.) If you purchased a light to be used in hazardous locations, you can find specific information on the side of the light itself
- 2.) Do not open unit while in a hazardous environment. Any maintenance should be done when in a 'safe' location.
- 3.) Do not modify the control board (PCB), wiring, or battery in any way, as this could permanently damage the unit.

Trouble-Shooting

Problem: Charge indicator fails to light when put on charger

Fix: Check to ensure that the positive tab on the charger contact is touching the positive charge contact on the bottom of the light

